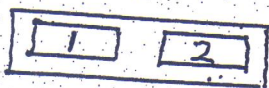
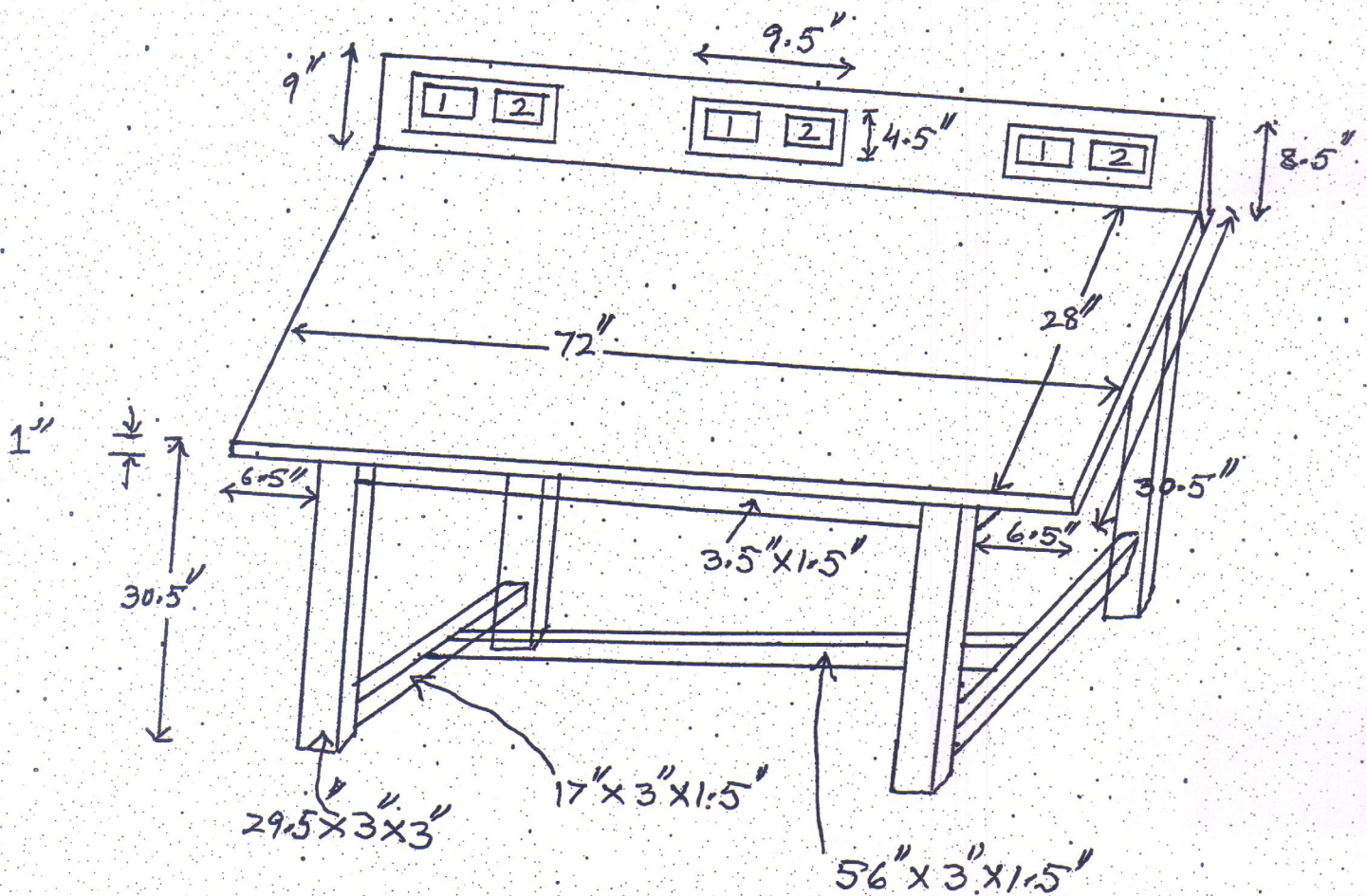


Drawing of Laboratory Table



View of electric Board

1. 1.5 Ampere (Socket and switch)
2. 5 Ampere (Socket and switch)

Specifications

- Dimensions: as per drawing in inches
- Frame, legs and supports: Sheesham wood
- Board: 1 inch (top)
- Sunmica: Color Brown with texture 1mm
- Brown warrish polish:
- Switch boards should be covered from backside with detachable lid-wood.
- PVC heavy duty wire of 5m length should be provided.